

RAMSES 748

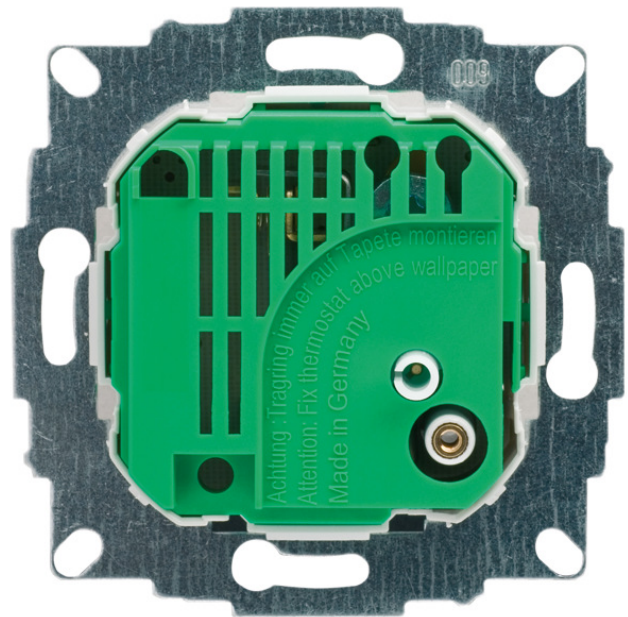
Item no.: 7480130

theben

Climate control
Room thermostats

Description

- Room temperature controller with thermal feedback
- Heating/cooling two-way switch
- Supplied as replacement device without frame, central part and setting button
- Frame, central part and setting button available as accessories
- Central part fits nearly all frames using an adapter frame from the switch manufacturer
- Ideal controller for refurbished and new build properties



Technical data

RAMSES 748	
Operating voltage	230 – 240 V AC
Frequency	50 – 60 Hz
Type of contact	Changeover contact
Switching capacity	Heating: 10 A (at 230 V AC, cos φ = 1), Heating: 4 A (at 230 V AC, cos φ = 0.6), Cooling: 5 A (at 230 V AC, cos φ = 1), Cooling: 1 A (at 230 V AC, cos φ = 0.6)

RAMSES 748	
Setting range temperature	5°C ... 30°C
Function	Mechanical
Hysteresis	✓
Control accuracy	approx. 0.5 K, thermal recirculation
Installation type	Flush-mounted
Protection class	II according to EN 60 730-1

Subject to technical changes and misprints

additional information at: www.theben.de/product/7480130

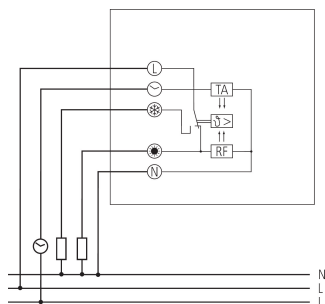
The load data are determined with exemplary selected illuminants and are therefore typical data due to the large number of available products.

RAMSES 748

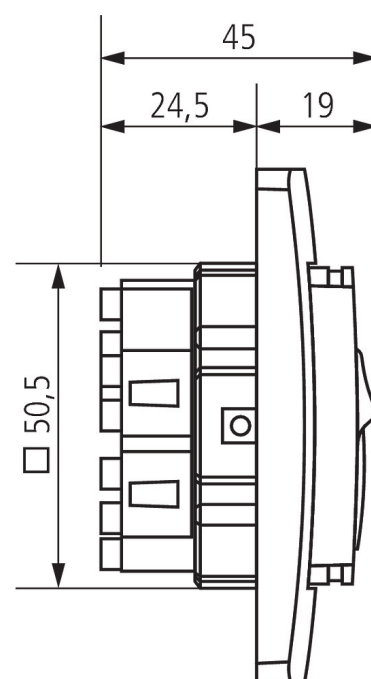
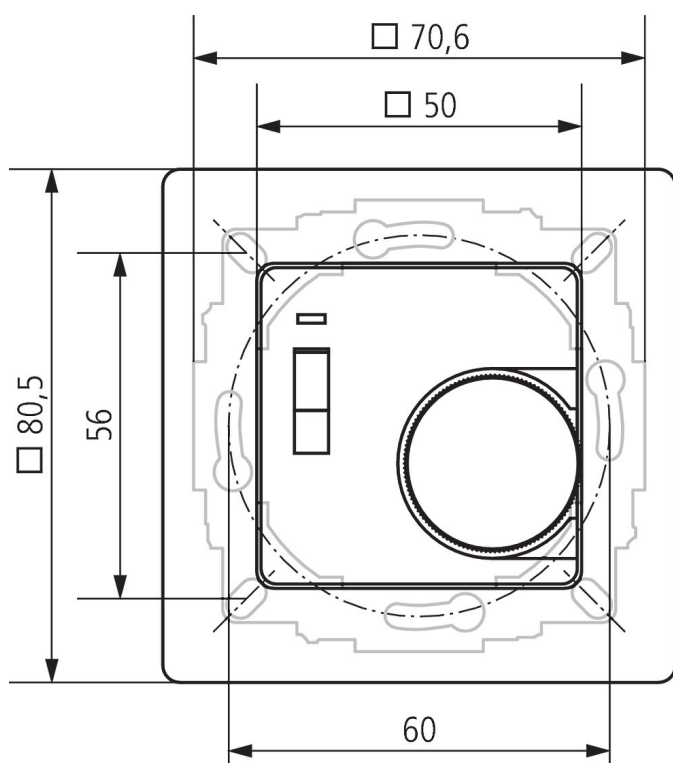
Item no.: 7480130



Connection example



Scale drawings



Subject to technical changes and misprints

additional information at: www.theben.de/product/7480130

The load data are determined with exemplary selected illuminants and are therefore typical data due to the large number of available products.

05/08/2022

Page 2 of 3

RAMSES 748

Item no.: 7480130



Accessories

Central part RAMSES 741/748
Item no.: 9070602



Frame RAMSES 74x
Item no.: 9070603



Actuator ALPHA 5 230 V
Item no.: 9070441

